

Compact 2000 Palletiser

The Compact 2000 is a high infeed machine with a unique economic small footprint. This palletiser is ideal for automatically palletising cartons, trays, shrink-wrap collations, etc. It is also operational in temperatures down as low as -27°C .

Compact 2000 Palletiser

TECHNICAL SPECIFICATIONS

Applications

- Product types:
Cartons, bins, totes, foil packages, bundles, trays, displays, etc.
- Max. product dimensions:
600x400x500 mm (LxHxW)
- Max. load: 250 kg per layer
- Stacking height:
2400 mm including pallet
- Pallet specifications:
Chep, Euro, 2x1/2 Euro, Industry, etc.
- Capacity: Circa 50 cases/minute, depending on sizes of the packages and layer pattern

Controls

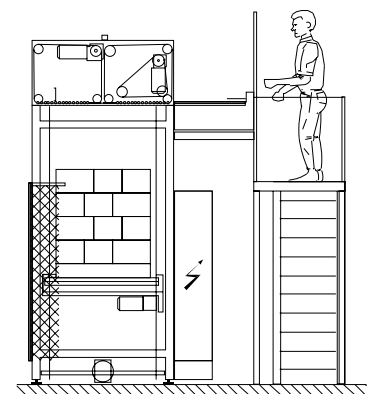
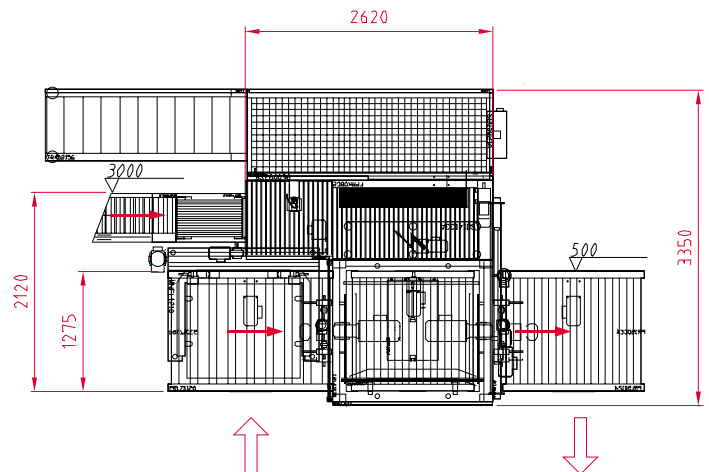
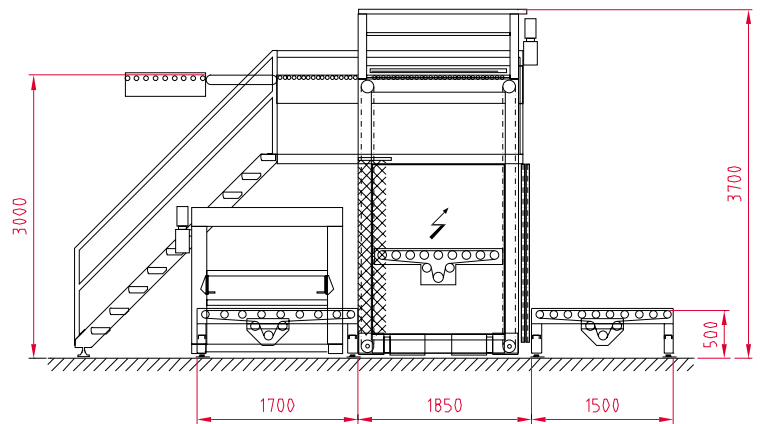
- Industrial Controller
- Control panel with display

Main voltage

- 230/400V, 50Hz

Options

- Row or layer buffer station (for higher capacities)
- Layer sheet dispenser
- Stainless steel execution
- Coldstore execution



P.O. BOX 70
4940 AB RAAMSDONKSVEER
THE NETHERLANDS

TELEPHONE
+31 (0) 162 575005
TELEFAX
+31 (0) 162 575119

E-MAIL
INFO@IVANHOEWEB.NL

INTERNET
WWW.IVANHOEWEB.NL

P.O. BOX 36
SHEFFORD BEDS
SG17 5ZQ
UNITED KINGDOM

TELEPHONE
+44 (0) 1462 819250
TELEFAX
+44 (0) 1462 812740

E-MAIL
INFO@IVANHOE.CO.UK

INTERNET
WWW.IVANHOE.CO.UK